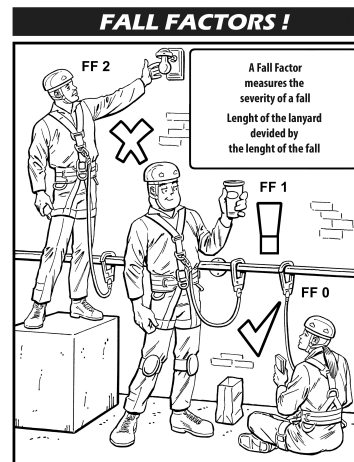
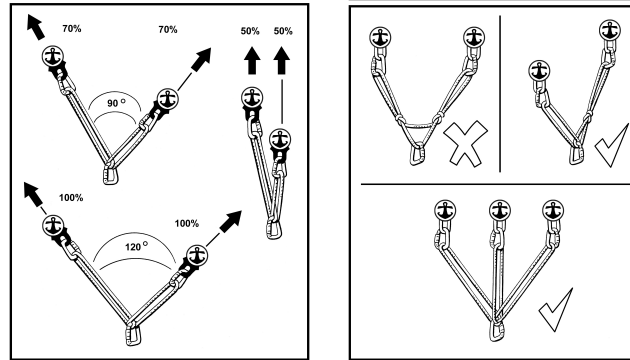
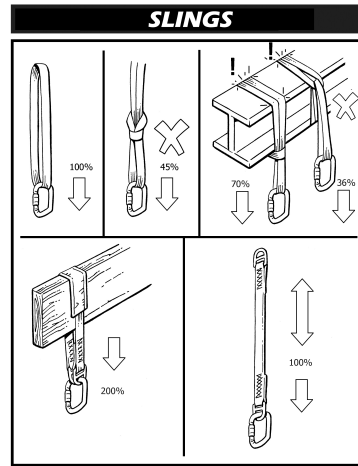





**WEB Polyester Sling**  
25mm  
MBS 40 kN



Carefully read these instructions before using this product and keep this manual for your records.

WEB Sling approved to:  
EN 795:2012 Type B and ANSI Z359.1:2007  
Product # G30 60 – length 60cm  
Product # G30 90 – length 90cm  
Product # G30 120 – length 120cm  
Product # G30 150 – length 150cm  
Product # G30 180 – length 180cm

**EN**

 Personal protective equipment against falls from a height.  
General requirements for instructions for use, maintenance, periodic examination, repair, marking and packaging as per EN 365:2004

**Warning**

Working at height and all forms of activity conducted at height are dangerous and can lead to serious injury or death.

It is important to be medically fit to use the equipment as this can effect the safety in normal or emergency use.

The information provided in this manual contains important information which should be understood before the item is used. The information must be provided to the customer by the retailer in the language of the country this product is sold.

Improper use of equipment can result in serious injury or death. It is the responsibility of the user to obtain proper training in rope techniques and safety prior to any activity at height and use of such equipment.

It is the users responsibility to ensure that there is a rescue plan in place to deal with any emergencies that could arise during the work.

Strengths quoted are when the product is tested new and are in accordance with the manufacture's test methods or to the appropriate standard. Any weights and measurements are approximate.

Do not make any alterations or additions to the equipment without the manufacturer's prior written consent, and any repair shall only be done by manufacturer.

**Sling** - This product has been designed for your protection and therefore it is a personal protective equipment (PPE). However, always remember that no item of PPE can provide full protection and care must always be taken while carrying out the risk-related activity. This sling is for anchoring while climbing, mountaineering, rescuing, etc. (in normal climatic conditions). Use only as instructed and with compatible items of equipment. Check that the safe function of any one component within a system will not interfere with safe function of this sling or another. Twists in the webbing can cause problems, weakness, serious injury or death.

**Compatibility** - Make sure that each item in an assembly is compatible as they may interfere with each other. Equipment used together should have the CE symbol on them, such as EN 355 for energy absorbers or EN 364 for carabiners. This sling is only to be used personal fall protection equipment and not for lifting equipment.

**Anchoring** - Under normal circumstances the WEB Sling is for one user at a time only.

The viability of any installation should be verifiable by a qualified engineer.

Any fall arrest anchorage used should be able to withstand a force of 22kN.

When sling is used as an anchor for a fall arrest system, the user shall be equipped with a means of limiting the dynamic forces exerted on the user during the arrest of a fall to a maximum of 6kN. The structure must at least hold 12kN.

**Safety** - The safety provided by this sling depends on its strength and the skill of the user. The strength will be reduced through the age, wear, tear, abrasion, cuts, high impact loads, tight/sharp edges, very high or low temperatures, knots, some chemicals (e.g. alkalis, oils, cleaning products, etc.), UV or failure to store and maintain as recommended. This list is not exhaustive. Any sling subjected to a minor fall should be examined and discarded if there is any sign of defect or any doubts about safety.

**Lifespan** - This is difficult to estimate but we advise as follows: Do not use more than ten years after the date of manufacture or five years after its first use, whichever come first. Assuming you have used the correct storage, the working life can vary between a single use in extreme circumstances (e.g. highly chemical environment, serious fall). UV light including sunlight will reduce the working life significantly. Inspection - It is recommended that the sling is marked with the date of the next or last inspection. Before each use visually inspect to ensure the product is in serviceable condition and operates correctly. An examination should be carried out at least every 6 months by a competent person. These inspections should be recorded. Pay particular attention to cuts and frays on the edges, areas of potentially high wear and sewn parts. If found any compromises disregard the product. When carrying out an inspection pay attention to the points as stated in the inspection form.

It is essential for safety that equipment is withdrawn from use immediately should:  
Any doubt arise about its condition for safe use or;  
Any product subjected to a major fall and not used again until confirmed in writing by a competent person that it is acceptable to do so.

Before each use visually inspect to ensure the product is in serviceable condition and operates correctly. If any compromises are found do not use the product and retire it.

Tensile Strength - The tensile strength of this product is 40kN and is calculated using the 3-Sigma method.

#### **Markings and/or symbols**

On our label you will find:  
Product name and size  
DOM (date of Manufacture) in year and month  
Serial # - Individual serial # or batch # [360st product]  
CE mark, which stands for "Conformité Européenne" ("European Conformity").  
EN 795 B is the European standard to which the product is certified.  
ANSI is the standard for the U.S.A. and stands for American National Standard Institute

Note: It is the resellers responsibility to provide instructions for use, for maintenance, for periodic examination and for repair in the language of the country in which the product is to be used.

**Warranty** - Equipment offered by Eyolf Inc. are warranted against factory defects in workmanship and materials for a period of two years from date of installation or use by the owner, provided that this period shall not exceed two years from the date of shipment. Upon notice in writing, Eyolf Inc. will promptly repair or replace all defective items. Eyolf Inc reserves the right to elect to have any defective item returned to its plant for inspection before making a repair or replacement. This warranty does not cover equipment damages resulting from abuse, damage in transit, or other damage beyond the control of Eyolf Inc. This warranty applies only to the original purchaser and is only one of applicable to our products, and is lieu of all other warranties, expressed or implied.

---

CERTIFICATION BODY AND ONGOING ASSESSMENTS OF ARTICLE 11B AGAINST EC DIRECTIVE 89/686/EEC

SATRA Technology Centre Wyndham Way  
Telford Way Industrial Estate  
KETTERING Northamptonshire  
NN16 8SD UK

SATRA Identification number: 0321

---

Eyolf Inc.  
820 Gartshore St., Unit 9  
PO Box 418  
Fergus ON - N1M 2W8 Canada

Tel +1 519 787 1581  
Fax +1 519 787 3746

Email [info@eyolf.ca](mailto:info@eyolf.ca)

Eyolf Benelux BV  
Willy den Oudenstraat 17  
3056 AD Rotterdam, The Netherlands

Tel +31 (0)6 42 73 45 71

Email [info@eyolf.nl](mailto:info@eyolf.nl)

[WWW.EYOLF.CA](http://WWW.EYOLF.CA)

---

Date: Nov 2017  
Doc: G30 - WEB Sling - Rev 6



# EYOLF

## INSPECTION RECORD

Owner:  
Address:

Product:

Model:

Serial #:

DoM:

First use:

Reason for entry inspection or repair

### YEAR 1

INSPECTION RECORD

DATE:

RESULT:

INSPECTOR SIGNATURE:

### YEAR 4

INSPECTION RECORD

DATE:

RESULT:

INSPECTOR SIGNATURE:

### YEAR 7

INSPECTION RECORD

DATE:

RESULT:

INSPECTOR SIGNATURE:

### YEAR 9

INSPECTION RECORD

DATE:

RESULT:

INSPECTOR SIGNATURE:

### YEAR 2

INSPECTION RECORD

DATE:

RESULT:

INSPECTOR SIGNATURE:

### YEAR 5

INSPECTION RECORD

DATE:

RESULT:

INSPECTOR SIGNATURE:

### YEAR 8

INSPECTION RECORD

DATE:

RESULT:

INSPECTOR SIGNATURE:

### YEAR 10

INSPECTION RECORD

DATE:

RESULT:

INSPECTOR SIGNATURE:

### YEAR 3

INSPECTION RECORD

DATE:

RESULT:

INSPECTOR SIGNATURE:

### YEAR 6

INSPECTION RECORD

DATE:

RESULT:

INSPECTOR SIGNATURE:

Defects noted, repairs carried out and other information

How to inspect your slings.

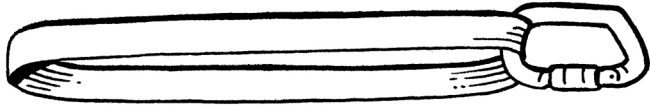
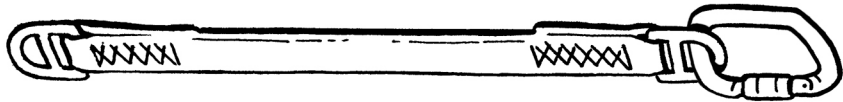
**Owner:**

**Model:**

**Date of inspection:**

**Date of first use:**

**Serial #:**



*If there is any doubt or failure, the harness should not be used.*

**Visual check of the safety components:**

Readable labels present?

(Age of harness)

Check webbing

(cuts, burns, wear, chemical marks, other damage)

Check stitching

(cut, worn, coloured or disordered threads)

Check attachment points

(deformation, cracks, wear, corrosion, burrs, marks)

Check buckles

(deformation, alignment, cracks, wear, corrosion, marks)

Check compatibility of connector

Check condition of protective components  
(covers, etc.)

**Operational check**

Check webbing and buckles are in the right position

Check adjustments

Check length is correct

**In Service:**

Yes  No

**Comments:**